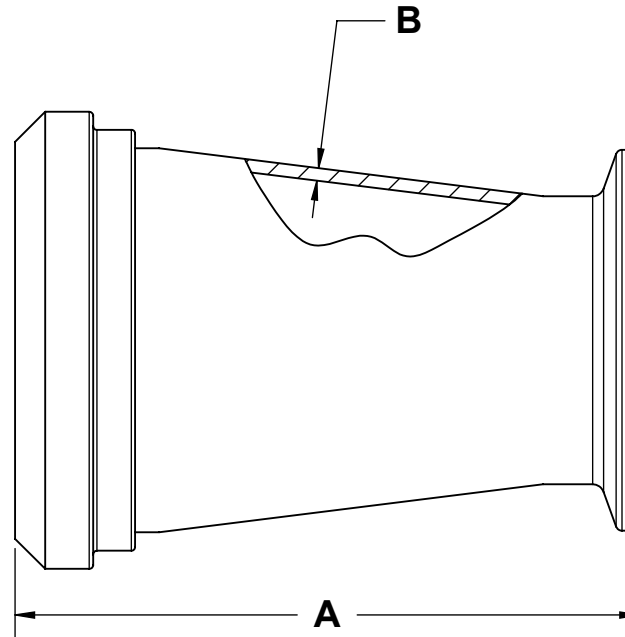
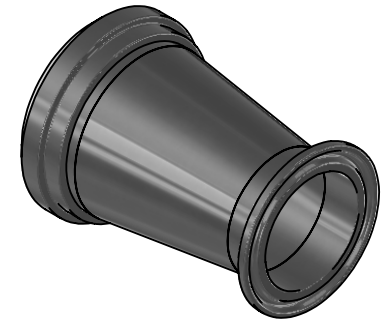


SIZE	UNITS	A	B
150100	IN	3.22	0.065
150100	MM	81.7	1.65
200150	IN	3.25	0.065
200150	MM	82.6	1.65
250150	IN	5.38	0.065
250150	MM	136.5	1.65
250200	IN	3.38	0.065
250200	MM	85.7	1.65
300150	IN	7.41	0.065
300150	MM	188.1	1.65
300200	IN	5.41	0.065
300200	MM	137.3	1.65
300250	IN	3.41	0.065
300250	MM	86.5	1.65



NOTE: ONLY 1.5" PLAIN BEVEL SEAT X 1" CLAMP HAS A HEX NUT INCLUDED



The Right Connection™

PROPRIETARY AND CONFIDENTIAL

This drawing is owned by Dixon Valve & Coupling Co. and shall be returned upon demand. It is loaned on condition that it shall not be copied or reproduced or submitted to others without the owners consent. In accepting it subject to this condition the recipient further agrees that this drawing or any design detail or concept disclosed herein shall not be used in any way detrimental to or in competition with the owner. If the recipient does not agree to the terms of this agreement they shall return this drawing immediately. The information contained in this drawing is subject to change without notice.

DO NOT SCALE THIS DRAWING

DIXON  **U.S.A.**

THE RIGHT CONNECTION™

DESCRIPTION:
PLAIN BEVEL SEAT X CLAMP CONCENTRIC REDUCER

MATERIAL(S):
304 STAINLESS

PART NUMBER:
B14C31